



1.2 m Antenna

Telstra BigPond™ Broadband 2-Way Satellite Internet

Installation Procedure for Electromagnetic Energy Safety Compliance

October 2003

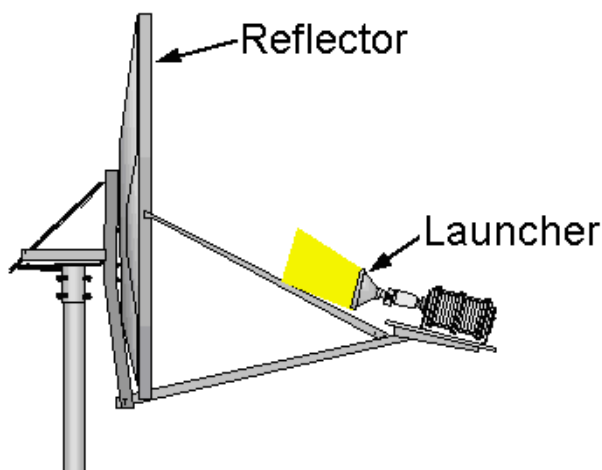
EME Safety

The Telstra BigPond™ Broadband 2-Way Satellite Internet service uses a low powered radio transmitter connected to a highly directional dish antenna. The dish antenna focuses the radio signal into a narrow beam aimed at the satellite.

To comply with the Australian Radiation Protection and Nuclear Safety Agency (ARPANSA) EME safety standard, access is to be restricted to ensure the area between the feed horn and the reflector is not accessible.

Installation Practice

- Identify the launch angle and *EME Clearance Zone*
- Mount the antenna so the *EME Clearance Zone* is not normally accessible
- For roof mounted installations, where access to any *EME Clearance Zone* detailed below is possible – ensure that the RF sign is installed to provide safety instructions for this area
- Install the RF sign on back & front of the antenna – ensure that the sign is visible in any area immediately in front of the antenna.
- Ensure antenna cable is connected before switching on the transmitter
- Do not stand in front of the antenna without switching off the transmitter
- Provide customer with EME Information Flyer



EME Clearance Zone – 40cm from the launcher towards the reflector