



EME PRODUCT/ SERVICE ASSESSMENT REPORT

1.2M ANTENNA – BIGPOND 2-WAY SATELLITE INTERNET

Product or Service Image



Assessment of RF EME Levels

Introduction:

The Australian Radiation Protection And Nuclear Safety Agency (ARPANSA) has produced a standard for exposure to RF transmissions – ARPANSA Radiation Protection Standard 2002 Maximum Exposure Levels to Radio Frequency Fields – 3 kHz to 300 GHz

The Australian Communications Authority (ACA) has a Licence Condition Determination (LCD) that requires that the general public is not exposed to RF transmission levels exceeding the general public limits specified in the ARPANSA Standard.

Compliance with the Occupational Health & Safety Act 1991 requires that the limits and requirements of the ARPANSA standard are complied with.

Assessment of RF EME levels

Measured assessment

The 1.2m antenna was measured on the 19/9/03 in the Telstra Broadband Field Services car park, Burwood, Victoria.

The Occupational EME limit as specified in the ARPANSA Radiation Protection Standard, was not reached in any area of the antenna.

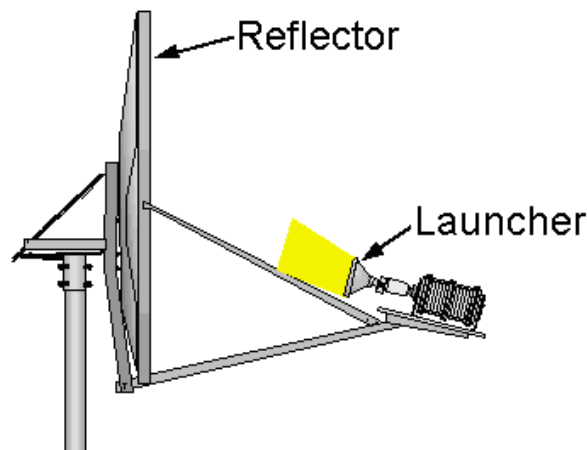
The General Public EME limit as specified in the ARPANSA Radiation Protection Standard, was measured at a distance of 40cm from the launcher directly towards the reflector.

All other areas in front of, to the sides of & to the rear of the antenna were measured to be below the General Public EME limit as specified in the ARPANSA Radiation Protection Standard.

All makes/models of the equipment under test & the survey equipment calibration details used is recorded in Radhaz Consulting Pty Ltd report number 00098-01.

Additional Notes

Access to the area between the launcher and the reflector is to be restricted to ensure the General Public do not access this area while the antenna is transmitting.



Product/Service Assessment Certification:

This Product/service has been assessed to the limits & requirements of the ARPANSA Standard "Maximum Exposure levels to radio frequency Fields 3 KHz to 300 GHz"

Qualified NATA EME Signatory:

Name: Shane Peacock

Signature: 

Company: RADHAZ Consulting Pty Ltd
Designation: Principal EME Consultant

Date: 22 October 2003

Product / Service Assessment Report No: 1